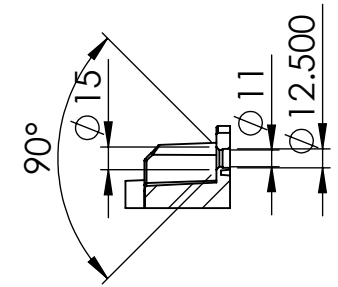
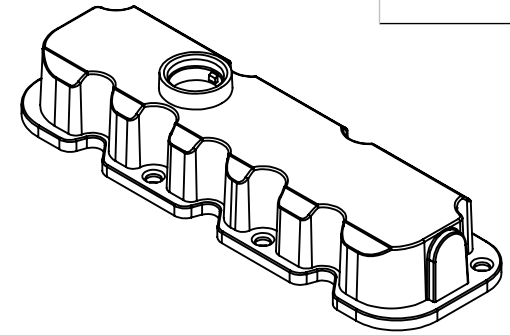
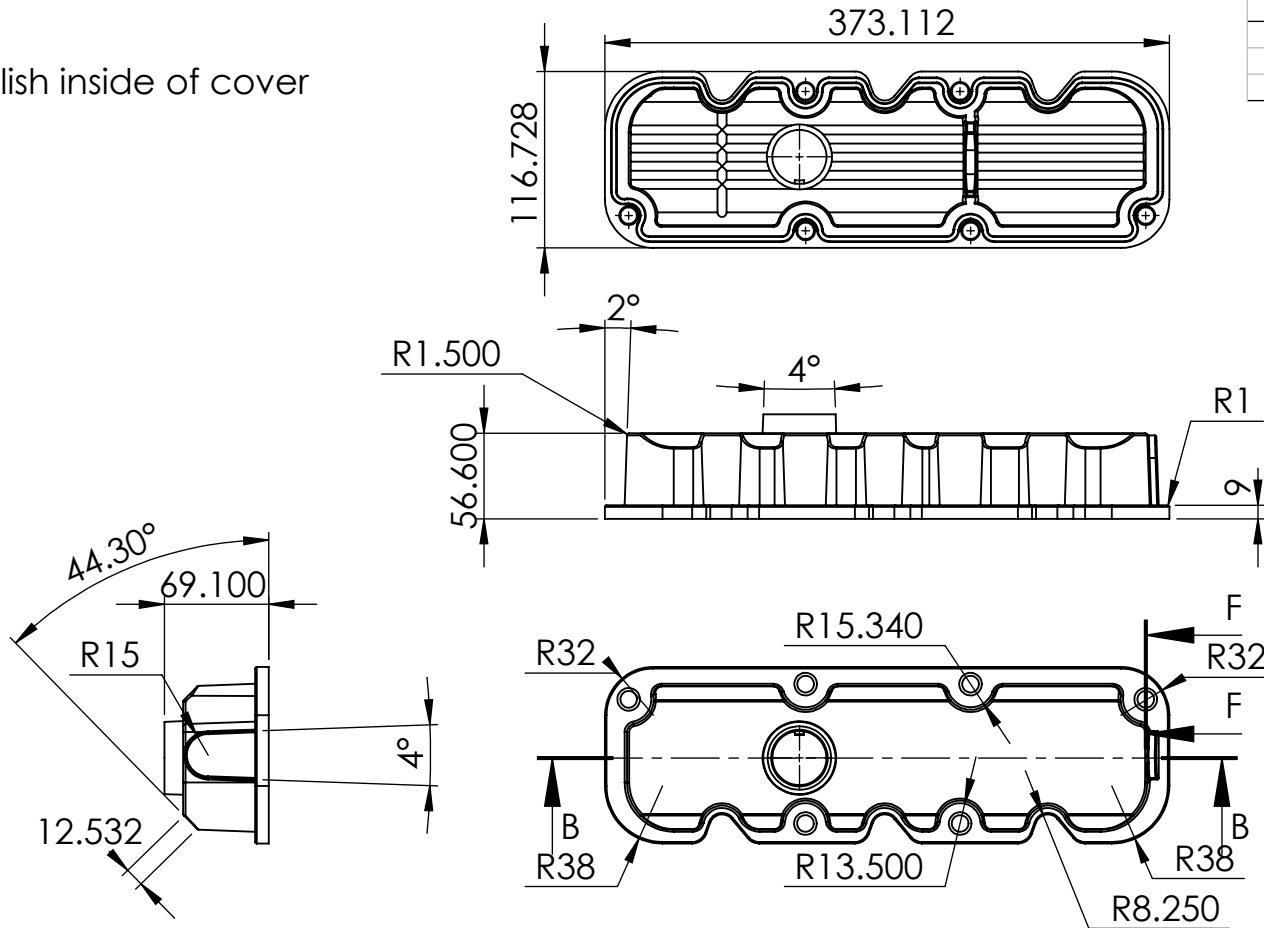
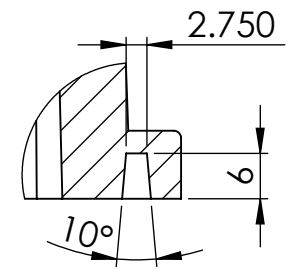


Notes:
Do not polish inside of cover

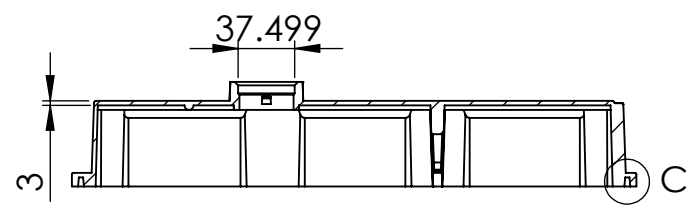
REV.	REVISIONS	DATE	APPROVED



SECTION F-F



DETAIL C
SCALE 1 : 1

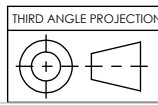


SECTION B-B

DRAWING NO.: L67CV1d

This model is the mirror image (not a duplicate) of model L67CV2d with the exception of the oil fill hole.

When placing both covers side by side with the side grooves facing each other, cylinder extrusions must be on the same side.



PROPRIETARY AND CONFIDENTIAL	MATERIAL	ALUMINIUM	NAME	DATE
	ROUGHNESS	0.8	DRAWN	A.KAD 28/12/12
	FINISH	POLISHED	CHECKED	----
	DO NOT SCALE DRAWING		COMMENTS:	
		DIMENSIONS ARE IN mm TOLERANCES: DECIMAL ± 0.1mm ANGULAR ± 1°		SIZE DWG. NO. A4 L67CV1d
		SCALE: 1:5	AS1100-1992	SHEET 1 OF 1