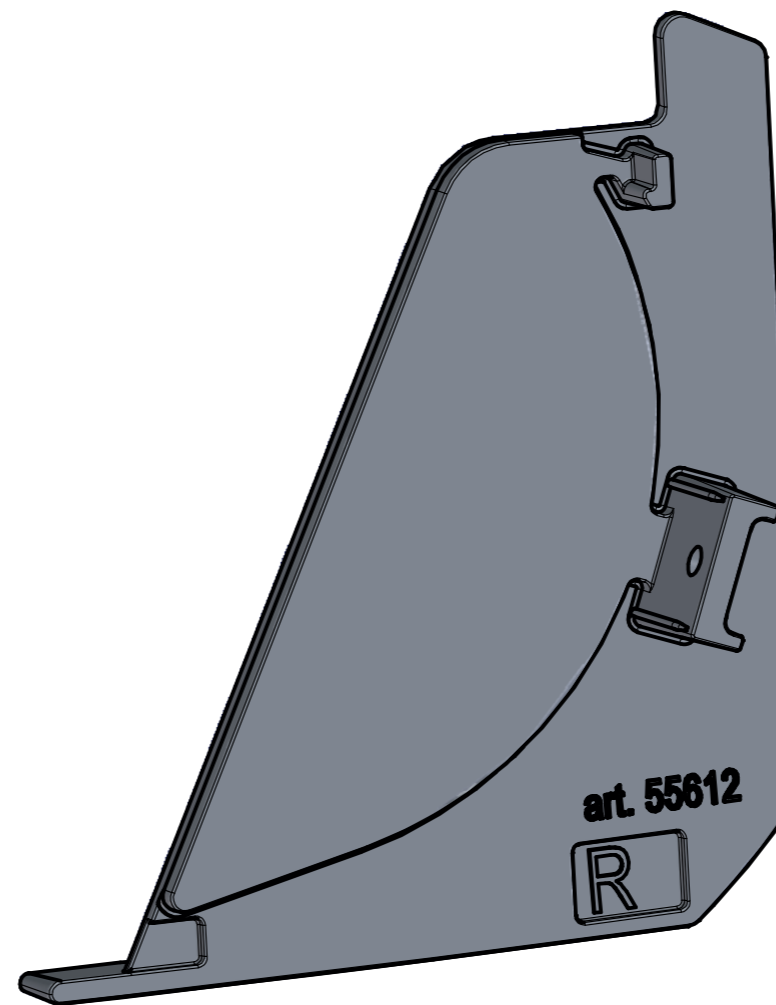


left

A15788

+



right

A15789

产品必须有陶瓷表面光洁度!!!  
表面不允许有喷砂或珍珠喷丸。

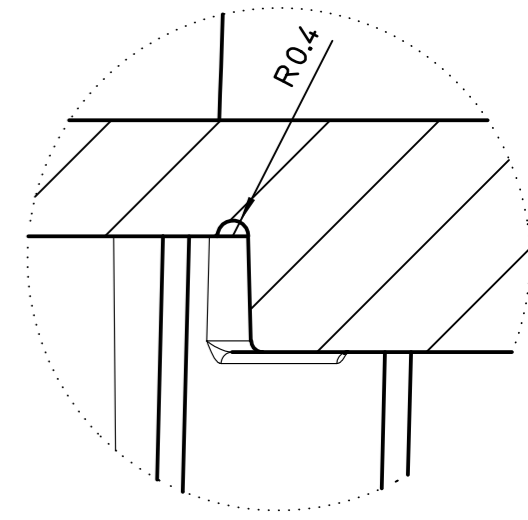
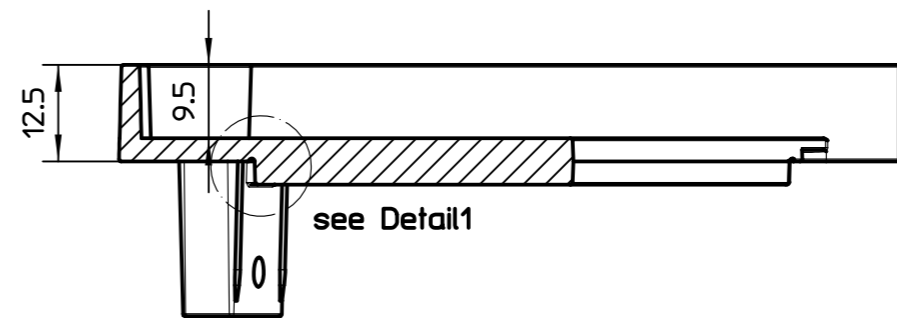
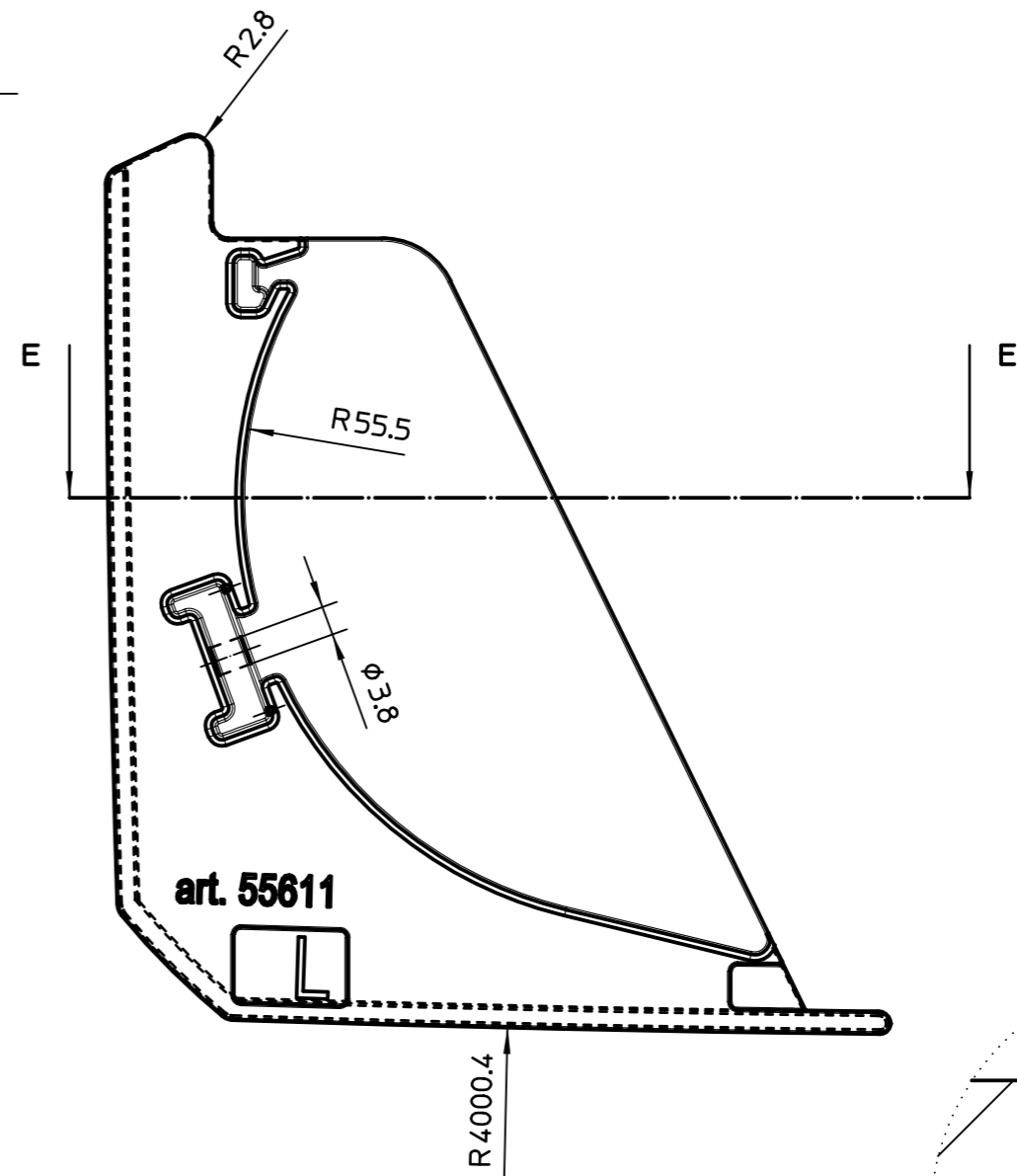
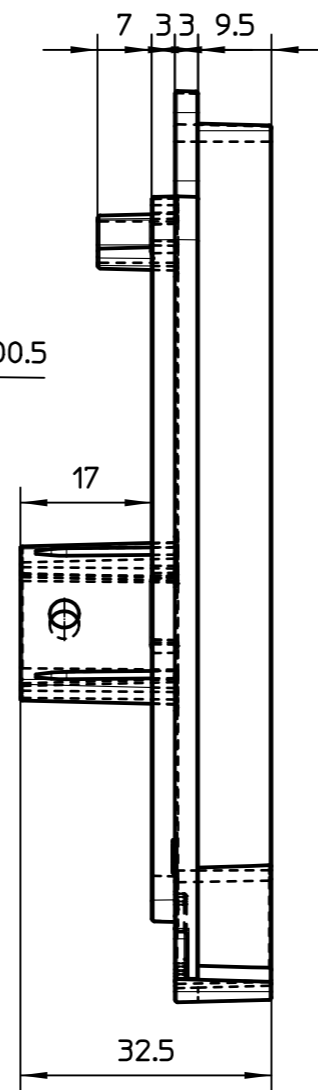
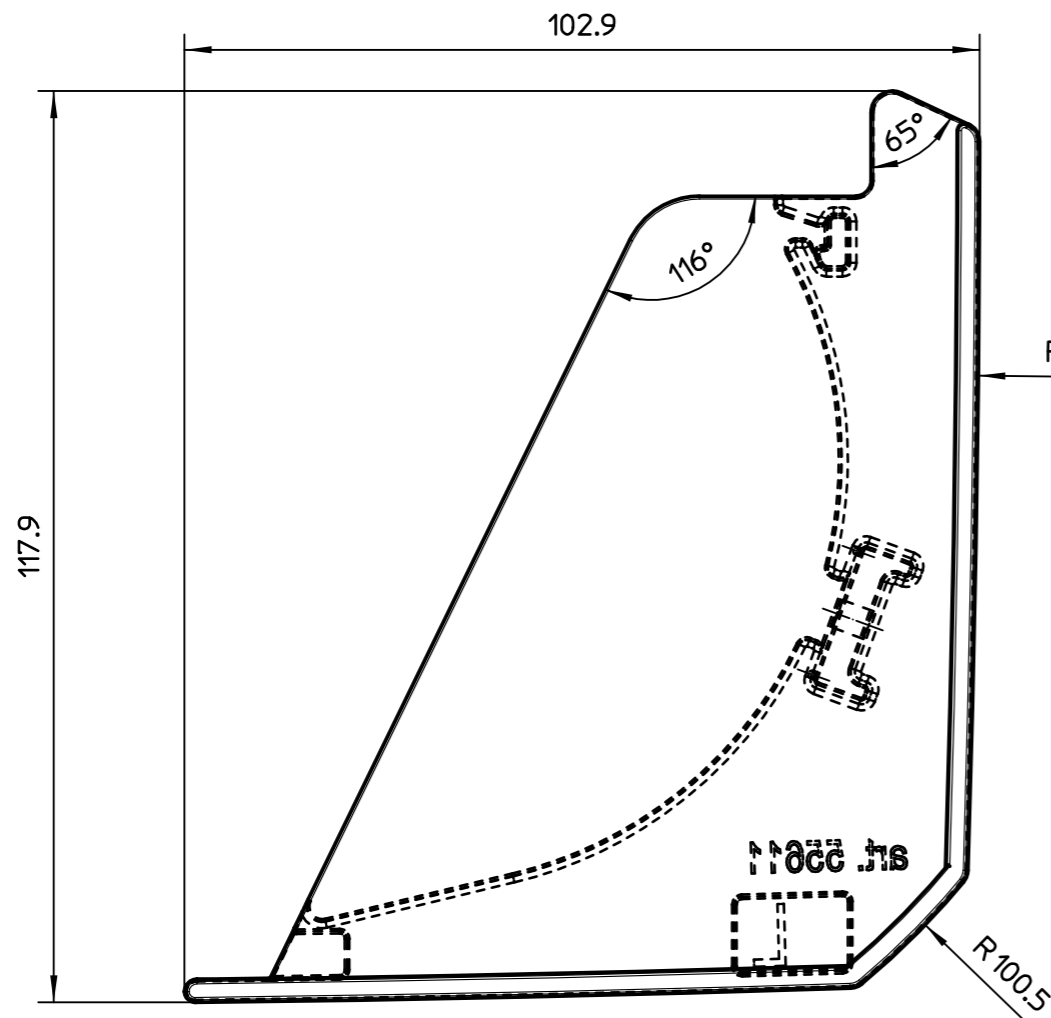
PARTS MUST HAVE CERAMIC BARREL FINISH !!!  
NO SANBLASTING OR PEARLBLASTING ALLOWED

材质：铝

Material: Aluminium

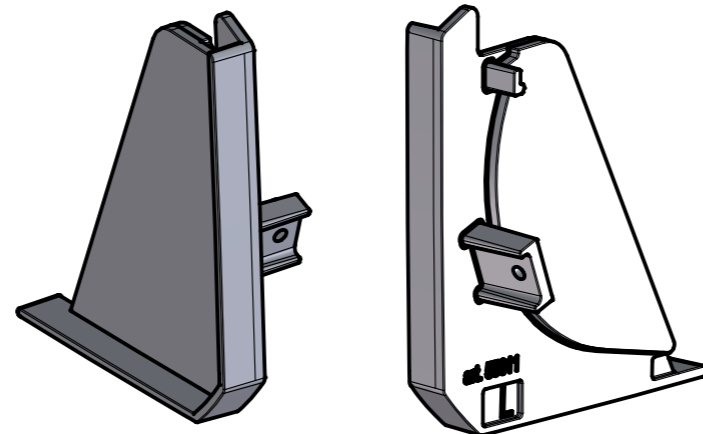
A14009-01 = A15788 (x1) + A15789 (x1)

**A14009-01**

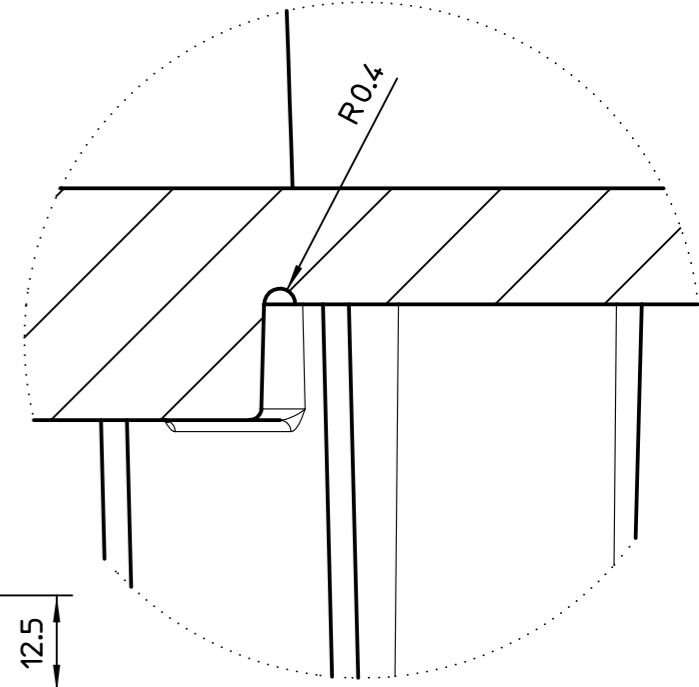
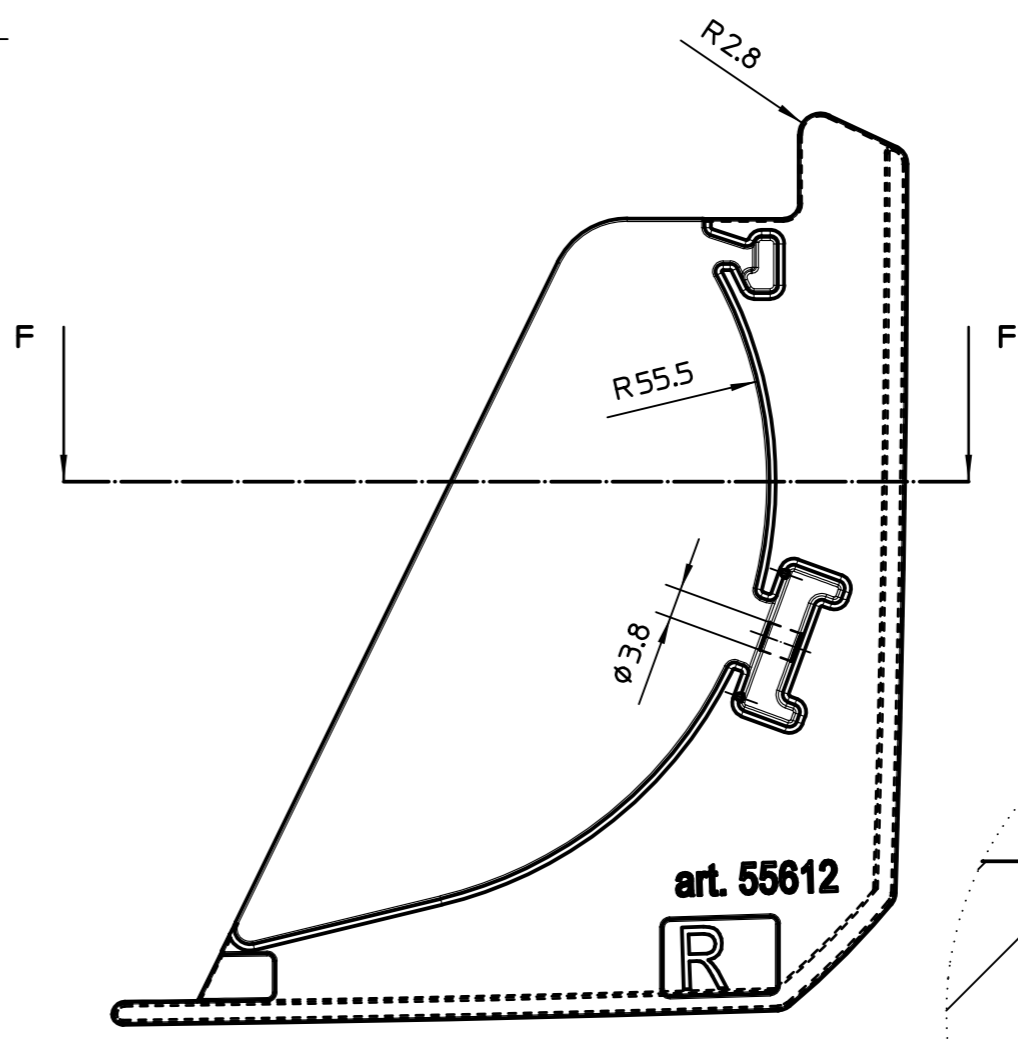
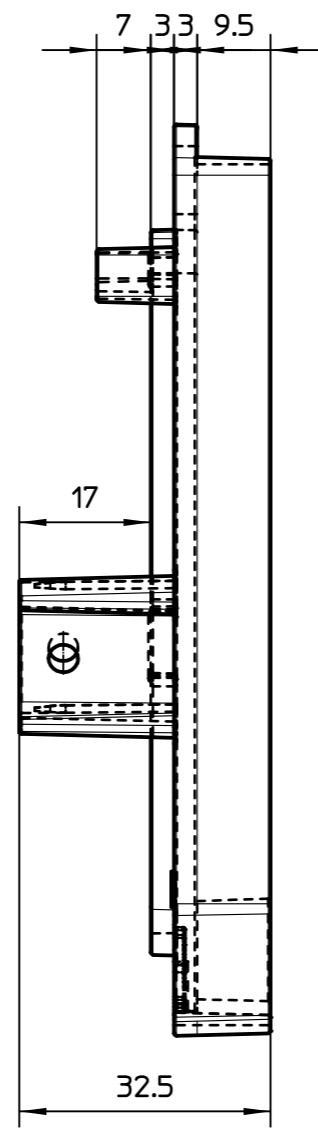
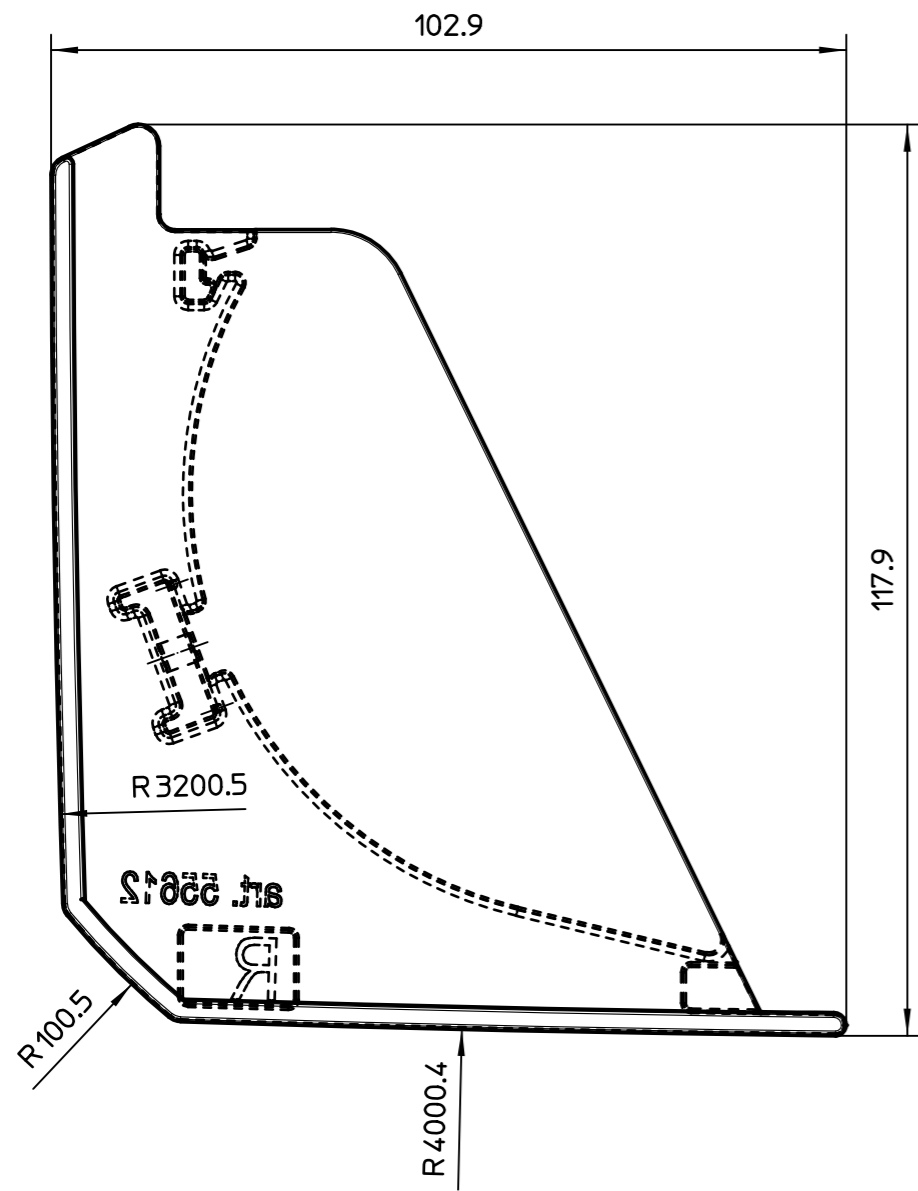


Detail1  
SCALE 5:1

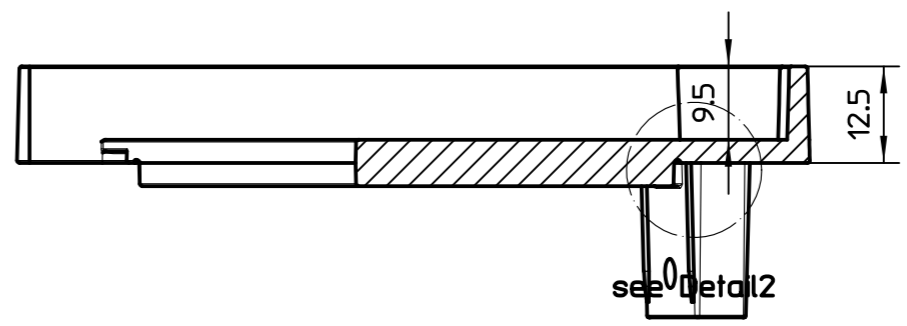
Section E-E



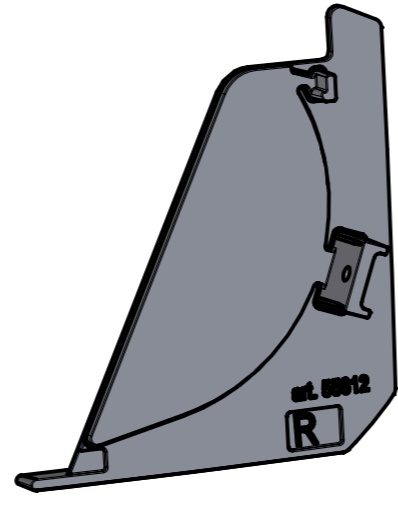
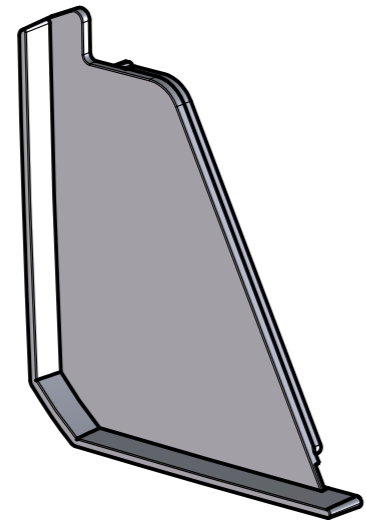
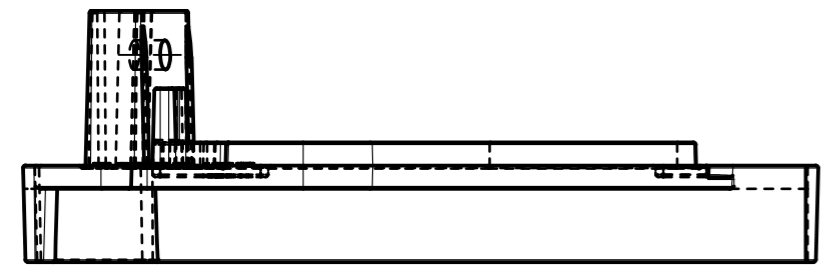
|           |            |               |                        |            |        |
|-----------|------------|---------------|------------------------|------------|--------|
| 01        | 05/02/2014 | Jan Lanckriet | aanpassing aansluiting |            |        |
| Versie    | Datum      | Naam          | Wijziging              |            |        |
|           |            |               | Omschrijving           |            |        |
|           |            |               | <h1>A15788</h1>        |            |        |
| Artikelnr |            | Basismodel    | Materiaal/Gewicht      | Tekeningnr | Schaal |
|           |            |               | aluminium<br>材质: 铝     |            | 1:1    |
|           |            |               |                        |            | A3     |



Detail2  
SCALE 5:1



Section F-F



|           |            |               |                        |            |
|-----------|------------|---------------|------------------------|------------|
| 01        | 05/02/2014 | Jan Lanckriet | aanpassing aansluiting |            |
| Versie    | Datum      | Naam          | Wijziging              |            |
|           |            |               | Omschrijving           |            |
|           |            |               | <h1>A15789</h1>        |            |
|           |            |               | Materiaal/Gewicht      | Tekeningnr |
|           |            |               | 材质: 铝<br>aluminium     |            |
| Artikelnr | Basismodel |               |                        | Schaal     |
|           |            |               |                        | 1:1        |
|           |            |               |                        | A3         |