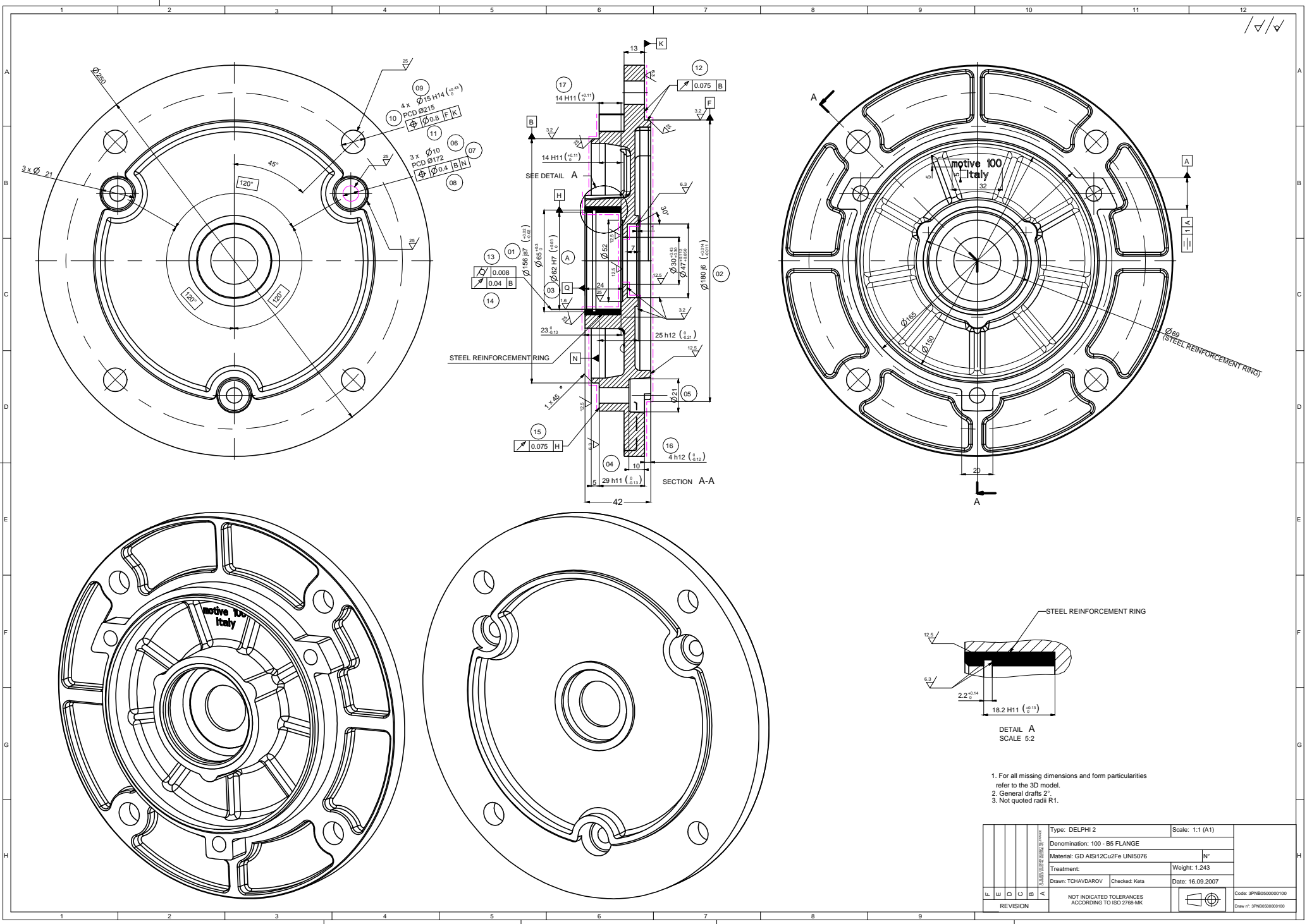


1/1



09 4 x  $\phi 15 H14 (\phi_{14})$   
 10 PCD  $\phi 215$   
 11  $\phi 0.8 F/K$   
 06 3 x  $\phi 10$   
 07 PCD  $\phi 172$   
 08  $\phi 0.4 B/N$

13 01  $\phi 156 p87 (\phi_{152})$   
 14 03  $\phi 52 H7 (\phi_{52})$   
 15 04  $\phi 180 p8 (\phi_{174})$   
 16 05 4 h12 ( $\phi_{12}$ )  
 17 06 14 H11 ( $\phi_{11}$ )  
 18 07 14 H11 ( $\phi_{11}$ )  
 19 08 23  $\phi_{13}$   
 20 09 25 h12 ( $\phi_{12}$ )  
 21 10 29 h11 ( $\phi_{11}$ )  
 22 11 42  
 23 12 0.075 B  
 24 13 0.008  
 25 14 0.04 B  
 26 15 0.075 H  
 27 16 0.075 B  
 28 17 0.075 H  
 29 18 0.075 H  
 30 19 0.075 H  
 31 20 0.075 H  
 32 21 0.075 H  
 33 22 0.075 H  
 34 23 0.075 H  
 35 24 0.075 H  
 36 25 0.075 H  
 37 26 0.075 H  
 38 27 0.075 H  
 39 28 0.075 H  
 40 29 0.075 H  
 41 30 0.075 H  
 42 31 0.075 H  
 43 32 0.075 H  
 44 33 0.075 H  
 45 34 0.075 H  
 46 35 0.075 H  
 47 36 0.075 H  
 48 37 0.075 H  
 49 38 0.075 H  
 50 39 0.075 H  
 51 40 0.075 H  
 52 41 0.075 H  
 53 42 0.075 H  
 54 43 0.075 H  
 55 44 0.075 H  
 56 45 0.075 H  
 57 46 0.075 H  
 58 47 0.075 H  
 59 48 0.075 H  
 60 49 0.075 H  
 61 50 0.075 H  
 62 51 0.075 H  
 63 52 0.075 H  
 64 53 0.075 H  
 65 54 0.075 H  
 66 55 0.075 H  
 67 56 0.075 H  
 68 57 0.075 H  
 69 58 0.075 H  
 70 59 0.075 H  
 71 60 0.075 H  
 72 61 0.075 H  
 73 62 0.075 H  
 74 63 0.075 H  
 75 64 0.075 H  
 76 65 0.075 H  
 77 66 0.075 H  
 78 67 0.075 H  
 79 68 0.075 H  
 80 69 0.075 H  
 81 70 0.075 H  
 82 71 0.075 H  
 83 72 0.075 H  
 84 73 0.075 H  
 85 74 0.075 H  
 86 75 0.075 H  
 87 76 0.075 H  
 88 77 0.075 H  
 89 78 0.075 H  
 90 79 0.075 H  
 91 80 0.075 H  
 92 81 0.075 H  
 93 82 0.075 H  
 94 83 0.075 H  
 95 84 0.075 H  
 96 85 0.075 H  
 97 86 0.075 H  
 98 87 0.075 H  
 99 88 0.075 H  
 100 89 0.075 H

1. For all missing dimensions and form particularities refer to the 3D model.
2. General drafts 2'.
3. Not quoted radii R1.

Type: DELPHI 2		Scale: 1:1 (A1)	
Denomination: 100 - B5 FLANGE			
Material: GD AISI12Cu2Fe UNI5076		N°	
Treatment:		Weight: 1.243	
Drawn: TCHAVDAROV		Checked: Keta	
Date: 16.09.2007		Code: 3P7NB0500001100	
REVISION		NOT INDICATED TOLERANCES ACCORDING TO ISO 2768-M/K	
		Draw n°: 3P7NB0500001100	