

NOTES: UNLESS OTHERWISE SPECIFIED.

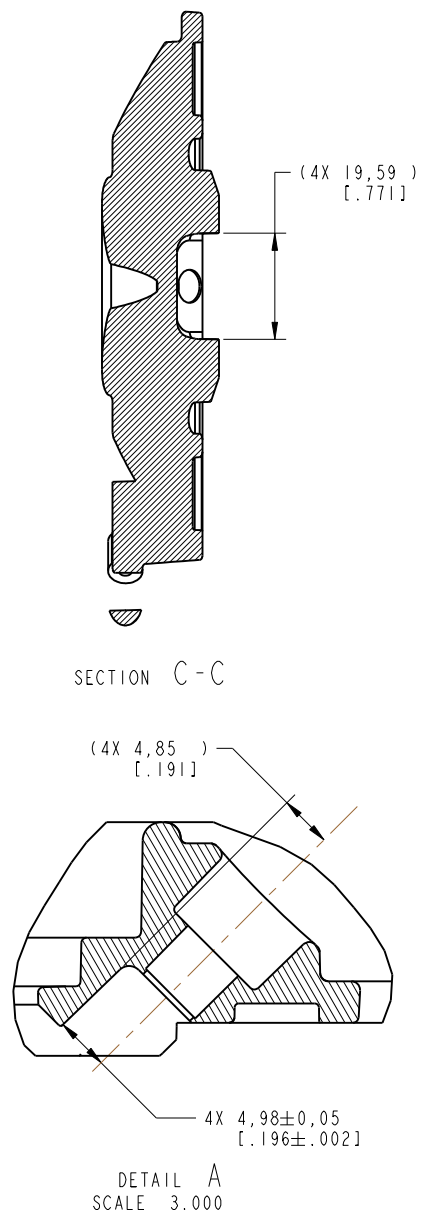
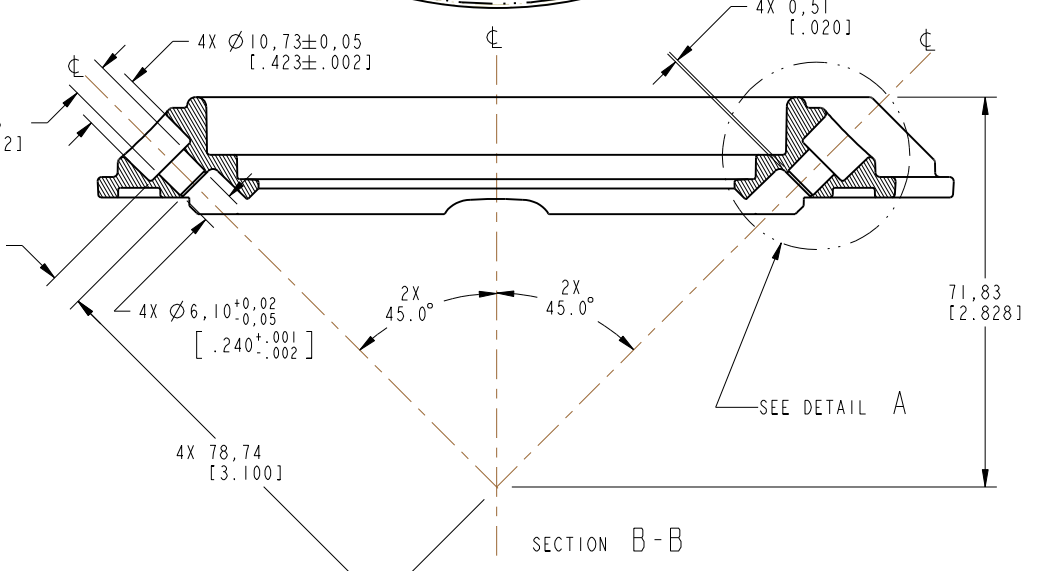
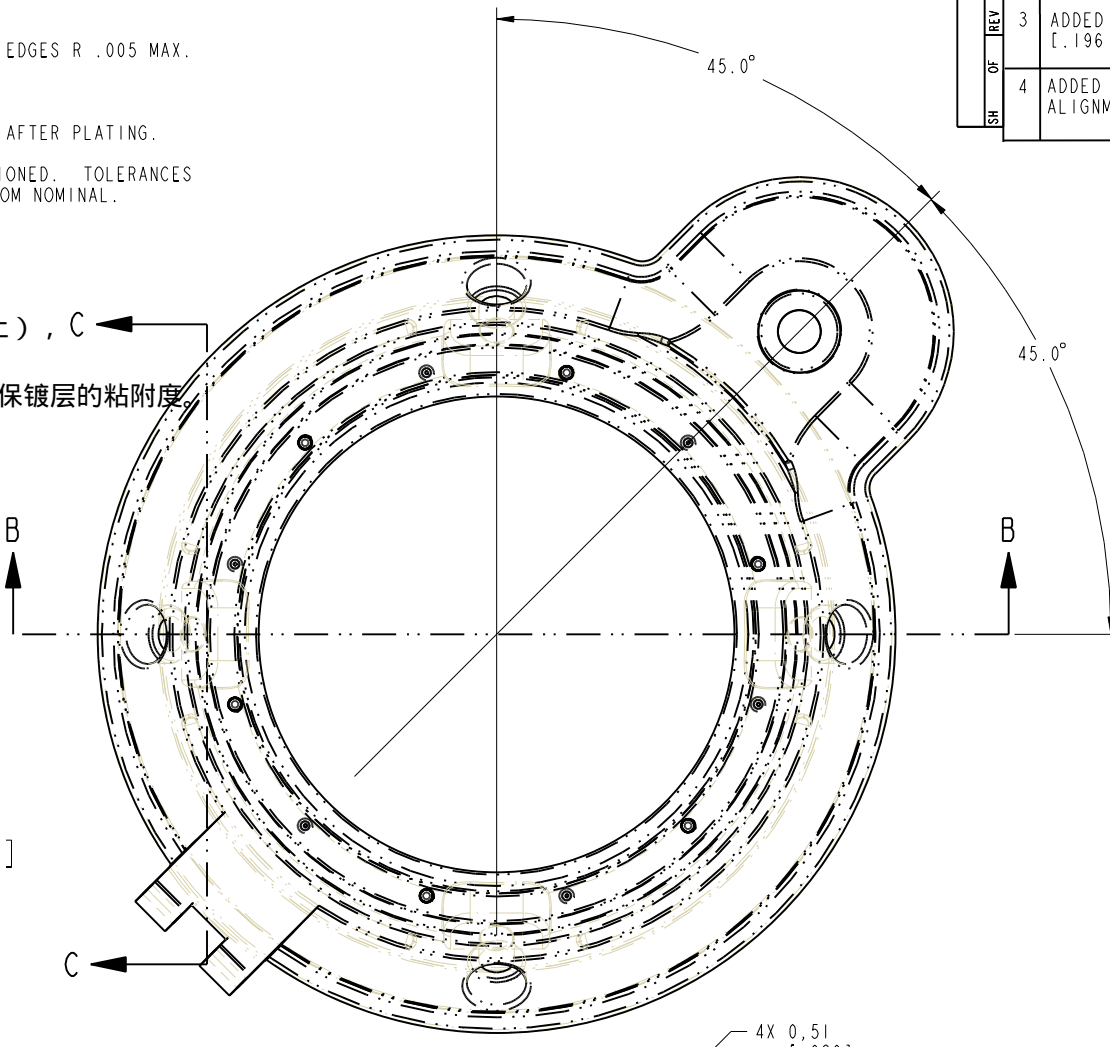
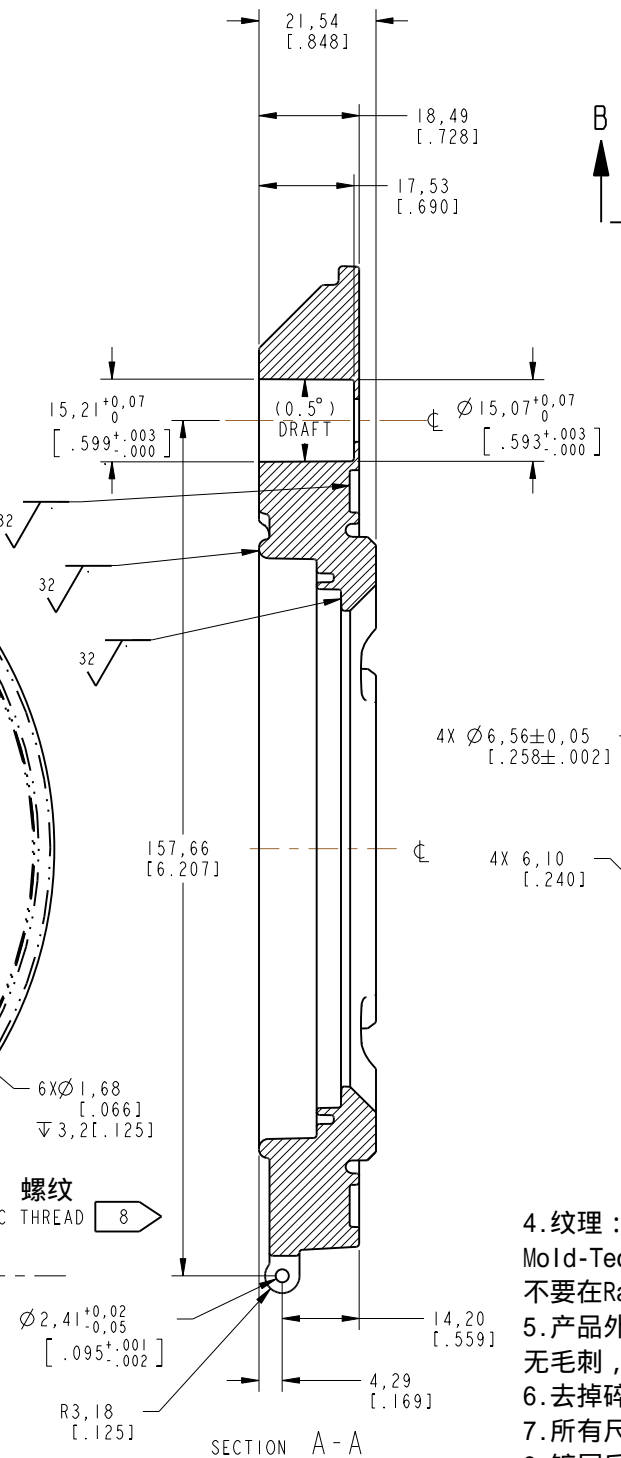
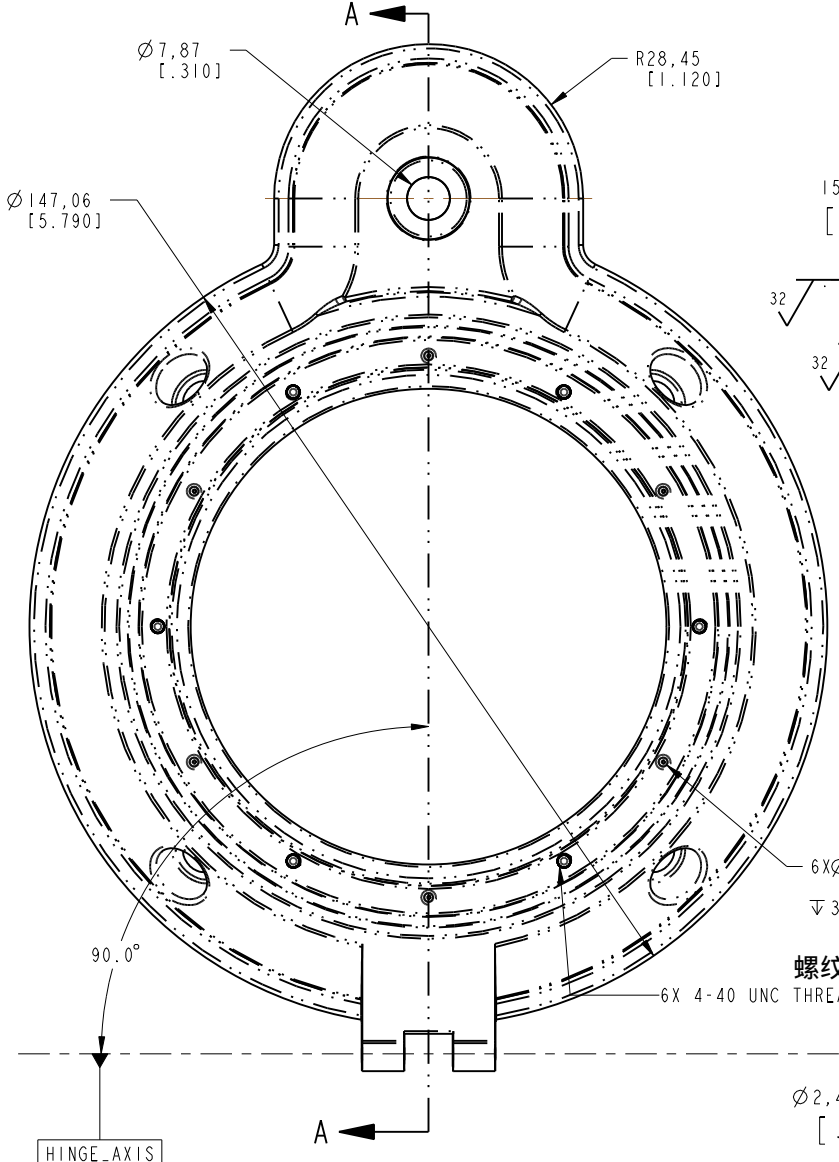
- ALL MATERIALS SHALL BE RoHS COMPLIANT TO EU RoHS DIRECTIVE 2002/95/EC AND REVISIONS. SUPPLIER SHALL PROVIDE CERTIFICATE OF COMPLIANCE AND CONSTITUENT MATERIALS UPON REQUEST.
- MATERIAL: ZINC, DIE CAST ALLOY EZAC OR ZA-27.
- FINISH: MICROPOROUS OR MICRO-CRACKED BLACK CHROMIUM OVER HIGH PHOSPHOROUS ELECTROLESS NICKEL (12-13%P), CLASS I, GRADE C, OVER 0.0002 INCH MINIMUM COPPER UNDERPLATE ON EZAC, OR AFTER ZINCATE TREATMENT IF PLATING ZA-27. IF PLATING ZA-27, AVOID EXCESSIVE SMUT FORMATION TO ASSURE GOOD PLATING ADHESION.
- TEXTURE: EDM FINISH 0.038 [0.0015] DEEP PER FLUKE-SUPPLIED PLAQUE SET "B" (SIMILAR TO MOLD-TECH #MT-11020). DO NOT APPLY TEXTURE TO SURFACES WITH 32 SURFACE FINISH NOTES.
- PARTS SHALL BE VISIBLY UNIFORM IN QUALITY AND APPEARANCE. THEY SHALL BE FREE OF BURRS, CRACKS, VOIDS, SHARP EDGES, AND OTHER HARMFUL DEFECTS THAT COULD ADVERSELY AFFECT LIFE AND SERVICEABILITY.

- REMOVE ALL CHIPS, BURRS, AND BREAK SHARP EDGES R .005 MAX.
- ALL DIMENSIONS APPLY AFTER PLATING.
- THREADS MUST PASS THREAD GAGE INSPECTION AFTER PLATING.
- USE 3D CAD FILES FOR FEATURES NOT DIMENSIONED. TOLERANCES SHALL BE HELD TO ± 0.012 MM (.005 INCH) FROM NOMINAL.

3. 表面处理：多微孔的或微小裂痕的黑色铬，在高磷电镀镍（12-13%P）上，等级I，级别C，最里面的是最小0.0002英寸的镀铜（直接在EZAC上），C或者如果是ZA-27材料的话则是在镀锌处理后。如果是ZA-27镀层的话，避免过多污迹的行程来确保镀层的粘附度。

- 所有材料符合EU RoHS 2002/95/EC。需要提供材质证书。
- 材料：锌合金压铸EZAC或ZA-27。

REV	LTR	DESCRIPTION	APPROVAL/DATE			
			OWN	CHK	APPRVD	APPRVD
3		ADDED DETAIL A AND 4X 4.98 \pm 0.05 [1.96 \pm .002]			GJG	2-27 2013
4		ADDED 6X \varnothing 1.68 [0.066] ∇ 3.2 [0.125] ALIGNMENT HOLES			GJG	3-8 2013



- 纹理：EDM表面处理0.038【0.0015】深，根据客户指定的B系列（类似于Mold-Tech的#MT-11020）。不要在Ra32的表面上做纹理。
- 产品外观和质量需要是一致的。无毛刺，无裂痕，无孔洞，无利边，没有其他影响使用和寿命的缺陷。
- 去掉碎屑，毛刺，利边做到R0.005最大。
- 所有尺寸都是涂层后尺寸。
- 镀层后螺纹必须通过螺纹规的检测。
- 为表明尺寸见3D图。公差 ± 0.012 mm (0.005英寸)。

除非另注，单位尺寸mm【英寸】

UNLESS OTHERWISE SPECIFIED ALL DIMENSIONS ARE IN MILLIMETERS (INCHES)		DESCRIPTION WINDOW FRAME FOUR DIE CAST, IR WINDOW FLK-CV400-2001	
TOLERANCES ARE: .XX [XX]= ± 0.24 [0.010] .XXX [XXX]= ± 0.12 [0.005] ANGLES= $\pm 1/2^\circ$	SIZE D 4320001	PART NO. 89536	FSCM 89536
DO NOT SCALE DRAWING		SHEET 1 OF 1	

未注公差

FLK-CV400-2001