

SECTION A-A

/图纸上未注尺寸公差和形位公差按GB/T 1804-F和 GB/T 1184-K。
μm.

/表面镀锡处理，厚度为5~8μm。

/所有尺寸为电镀后尺寸。

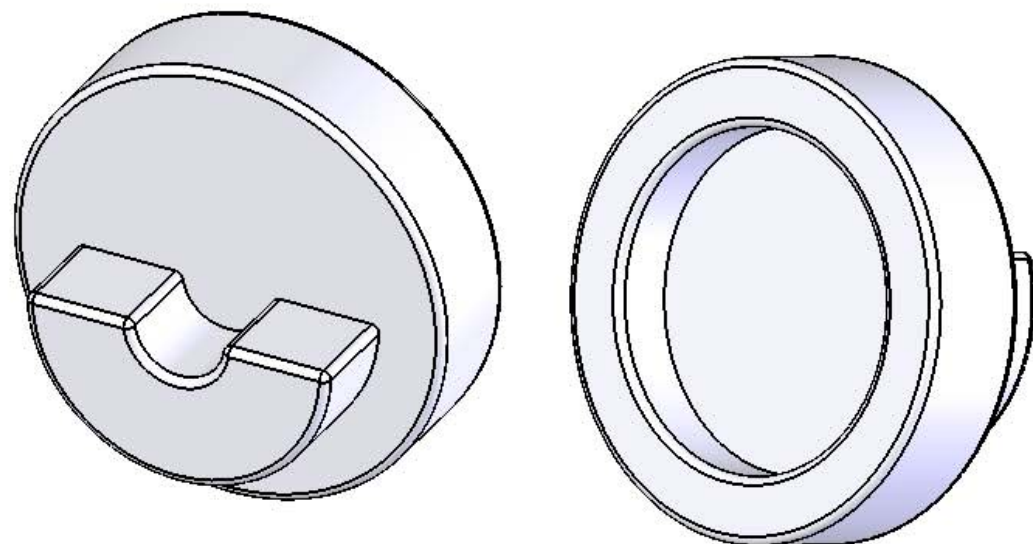
/去毛刺，锐边倒圆R0.13~R0.38。

/表面糙度均为1.6。

/零件运输过程中请保护好以防划伤、碰伤等。

/腰形框中的尺寸为关键尺寸。

/所有材料应符合RoHS和WEEE标准。



				Unless otherwise specified: Dimensions are in mm	Tolerances: (.0)=±0.3 (.00)=±0.1 (0°)=±1°	Weight[g]: 0.30 Surface area[mm ²]: 99.68 Material: 黄铜H62
					Name	Date
				Designer	YH.S	16-Jul-12
				Checker		
				Standardization		
				Appr.By		
				DO NOT SCALE DRAWING		
0.1	Initial	YH.S	16-Jul-12	<i>All rights strictly reserved. Reproduction or issue to third parties in any form whatever is not permitted without written authority from the proprietor. Property of NETOP</i>		
Rev.	Change	Name	Date			
						Size: A4
						Item No.