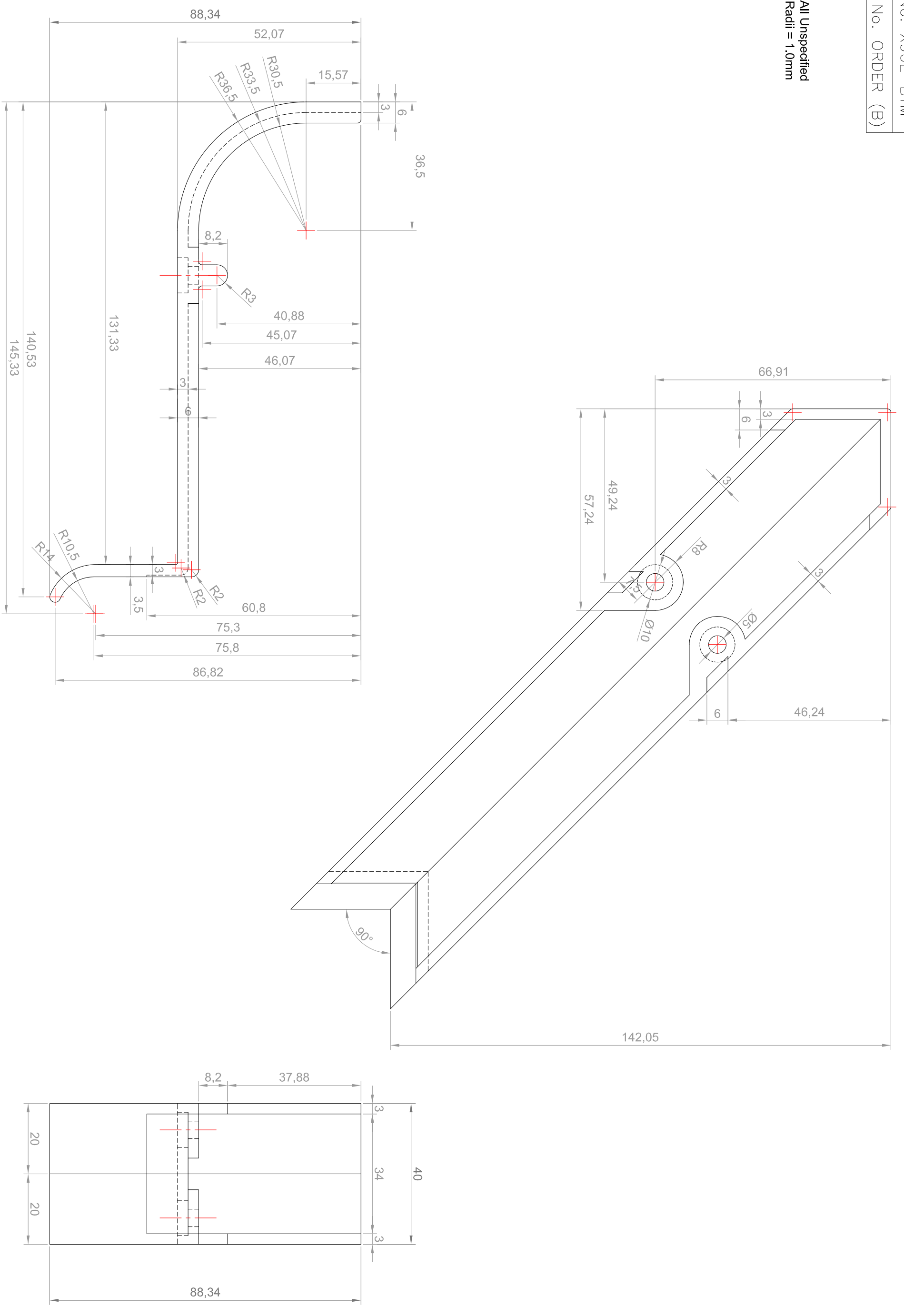


All Unspecified Radii = 1.0mm



Title: 90° Joint Clad – Fascia Bottom  
 Date: 09/01/12  
 Drawn By: G Tabberer  
 Approved By:

Scale: Do Not Scale

Do Not Scale ----- All Dimensions In Mm  
 Revisions/Notes: