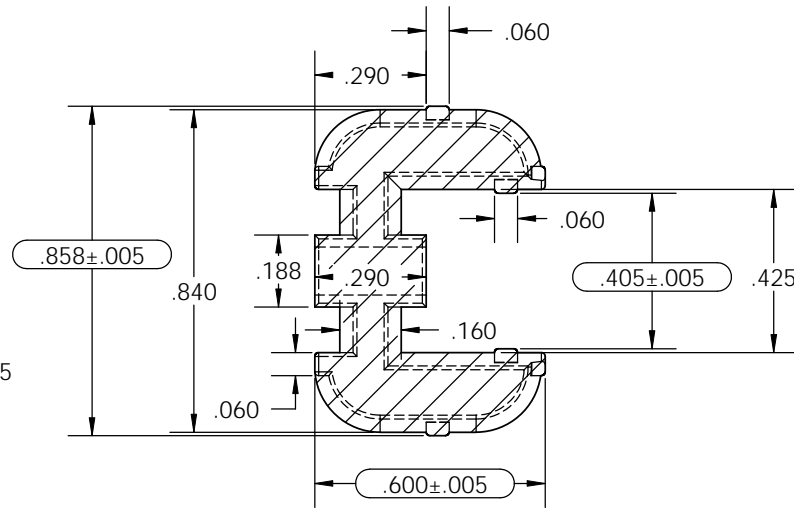
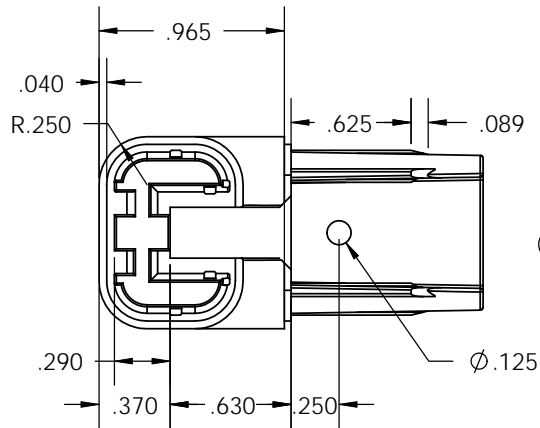
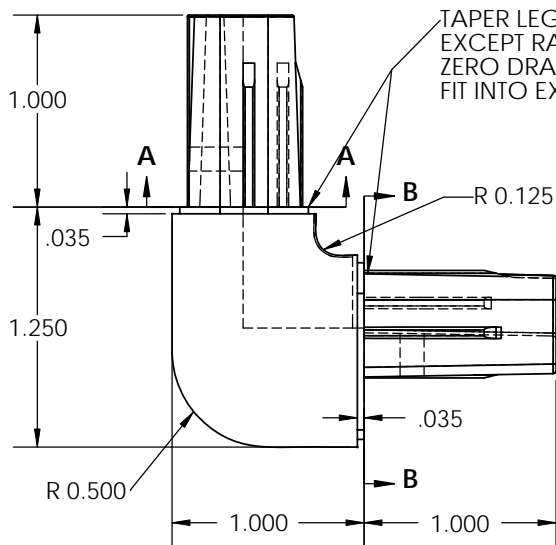
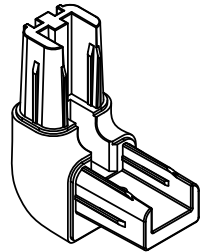


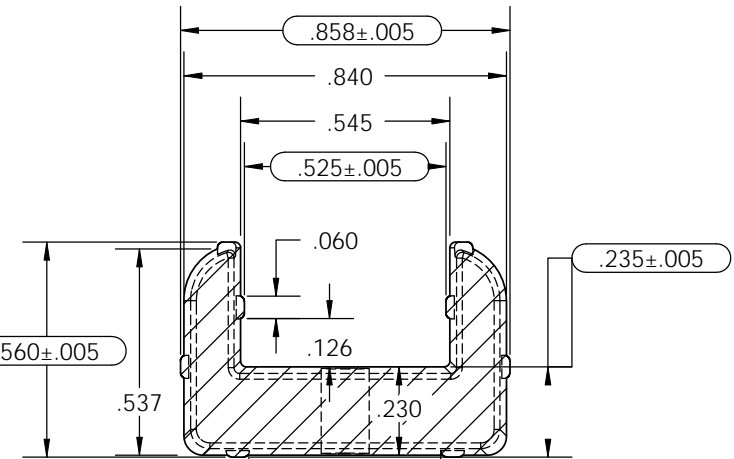
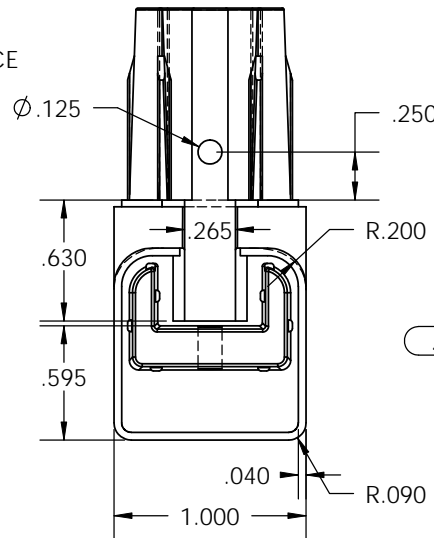
REVISIONS				
REV.	FCNNO	DESCRIPTION	DATE	BY
A.07	-	RELEASE FOR QUOTE	6/5/2012	BT



SECTION A-A
SCALE 2 : 1



TAPER LEG 2° FROM STEP EXCEPT RAISED RIBS WITH ZERO DRAFT FOR INTERFERENCE FIT INTO EXTRUSION



SECTION B-B
SCALE 2 : 1

DIMENSIONS
(CRITICAL)
REFERENCE

PROPRIETARY & CONFIDENTIAL: THE INFORMATION CONTAINED IN THIS DRAWING IS THE SOLE PROPERTY OF VISIONTRON CORP. ANY REPRODUCTION IN PART OR AS A WHOLE WITHOUT THE WRITTEN PERMISSION OF VISIONTRON CORP. IS STRICTLY PROHIBITED.

EST. VOLUME 1.4991	NAME/DESCRIPTION DESIGNER SERIES SIGN FRAME BOTTOM CORNER	PART NO. FRRC-3	DWG. NO. XX	REV A.07	LAST REV DATE 6/5/2012
EST. DENSITY 0.2384	MATERIAL ZAMAK 3 ZINC	DRAWN BY BT	DRAWN DATE 10/21/2011	SCALE 1:1	SHEET 1 OF 1
EST. WEIGHT 0.3574	FINISH BLACK PAINTED/ CHROME PLATED				